

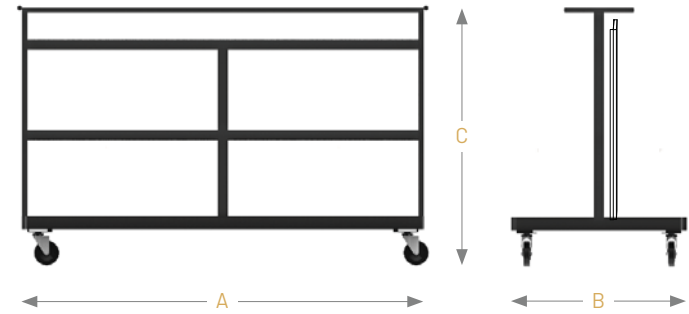
# Xilo / transport & storage / meeting table

## Product Specifications

Frame	Chromed mild steel finished in black powder coat
Floor	Double sided hardwearing melamine decorative surface: 18mm (45/64") E0 MDF finished with industrial grade marine carpet (charcoal)
Castors	4 x JUR125B polyurethane heavy duty precision bearing brake castors
Storage	6 tables
HS Code	8716.80.00
Warranty	10 years unlimited guarantee on all manufacturing processes.

Model No.    Size A x B x C (in / mm)

XILT7200    80.04 x 35.43 x 51.18 / 2033 x 900 x 1300



XILT7200